

# WILCO

MANUFACTURING, LLC  
Amphibious Hydraulic Undercarriages

## WILCO 3290F LF Amphibious Excavator Undercarriage Model: WMB50603220CR

WILCO SPECIAL Cat® 329F Excavator Upper with Empty Counterweight Housing



## WMB50603220CR Amphibious Hydraulic Undercarriage Specifications

### PONTOON CONSTRUCTION

High-Strength, Low Alloy, Weathering A606-4 steel plate is used in fabrication of the Wilco pontoons. This steel has 5 to 8 times the atmospheric corrosion resistance and 20% more tensile strength than similar size A36 structural plate steel. Each pontoon has 5 bulkheads, providing 6 independent watertight compartments. The bottoms of the pontoons are reinforced for rough terrain operations.

### TRACK CHAINS

Three strands of specially designed, heavy duty, 4 inch pitch marsh buggy track chain are installed on each pontoon. The hardened track chain rollers run in pontoon channels lined with an abrasive resistant hardox wear bar. Drive and idler shaft sprockets are flame hardened to match the hardness of the track chain rollers.

### DRIVE CHAINS

Engineering class 3.067 inch pitch high strength, heavy-duty offset drive chain is used to transfer power from the two stage planetary final drive gear boxes to the drive shaft sprocket on each track.

### TRACK SHOES

Specially designed marine grade, extruded 6061-T6 aluminum alloy cleats with 2 UHMW wear pads are capable of supporting the pontoon and its payload.

### HYDROSTATIC DRIVE

Power for the pontoon tracks is provided by the CAT® 329F excavator's diesel engine and main hydraulic pumps through the CAT® 329F hydraulic swivel. CAT® 329F travel motors are mated to the sealed planetary final drives to provide independent power to each pontoon track. Standard excavator travel controls are used.

### CARBODY

Wilco's specially designed carbody is built to accept the CAT® 329F excavator upper, which makes assembly and disassembly faster and easier.

## Individual Pontoon Shipping Weights & Dimensions

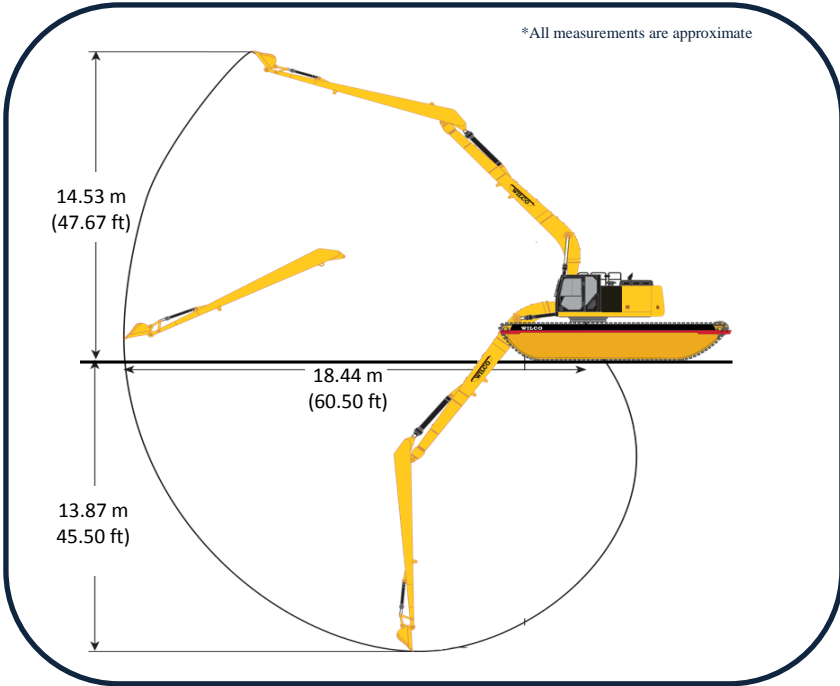
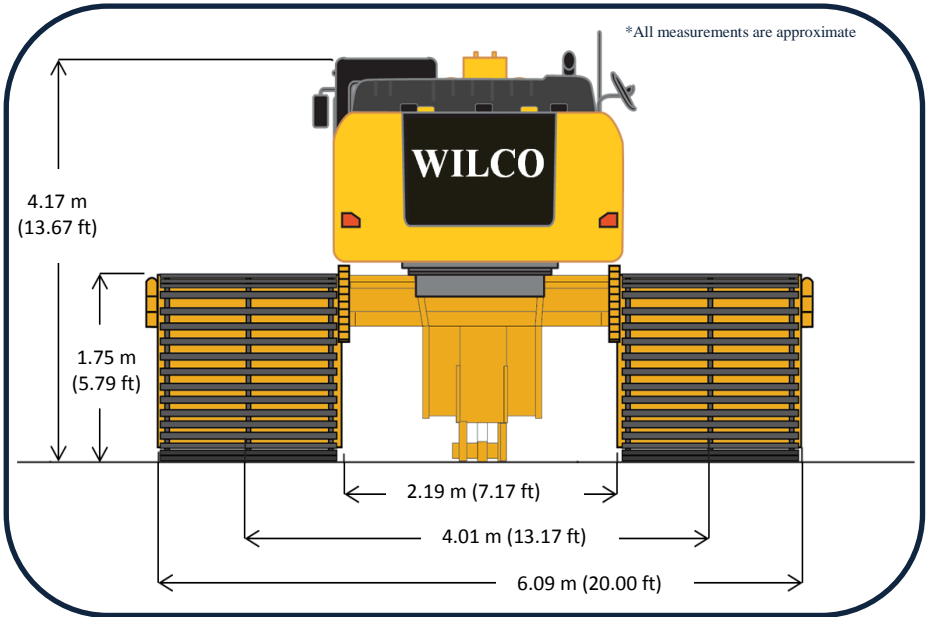
Height.....	1.75 m (5.79 ft)	Length.....	10.79 m (35.42 ft)
Width.....	2.43 m (7.92 ft)	Weight.....	10727 kg (23,650 lb)

\*All weights and measurements are approximate

# WILCO 3290F LF

## Amphibious Excavator Specifications

- HD Reach Boom (33' 6")
- 25' 9" HD Stick
- 29" Wide, 0.625 yd<sup>3</sup> Bucket
- CAT® 329F Upper: 175 kW (239 hp)
- CAT® C7.1 Mechanical Diesel Engine
- CAT® Hydraulics/XT-6 Hose
- Hydraulic Propel System
- CAT® Power Train Components on Wilco Undercarriage (Swivel, Motors \*Brakes)
- CAT® Dealer Parts & Service
- Wilco's 100+ Years Combined Experience with Amphibious Equipment



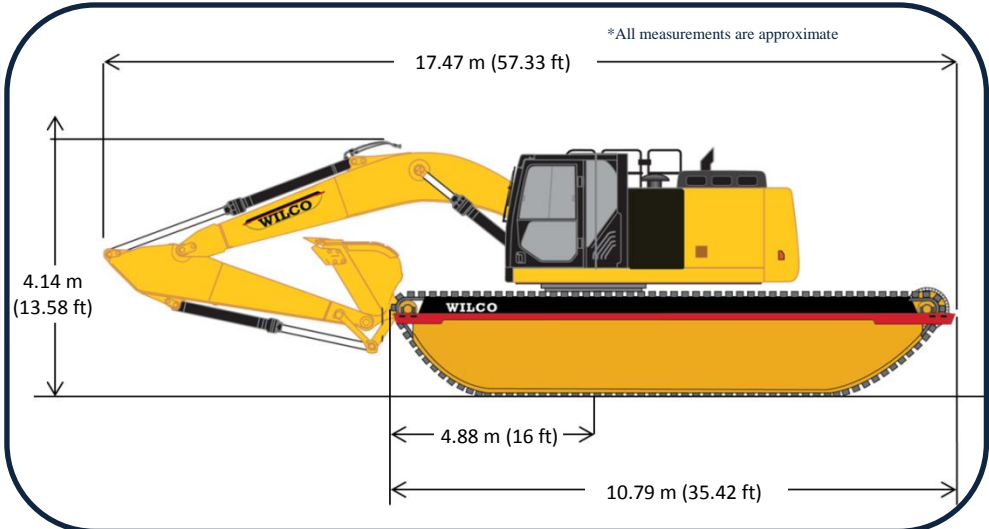
Vehicle Transport Weight:	31,746 kg (70,000 lb)
Ground Contact Pressure:	0.104 kg / sq cm (1.50 psi)
Travel Speed:	3.0 kph (1.7 mph)
Gradeability:	60%

\*All measurements and calculations are approximate

- ### Additional Features:
- Equipped with additional Fuel/Water Separator for increased Fuel Purification.
  - Empty Counterweight Housing Converted into Auxiliary Fuel Tank (Tank Capacity Approximate 300 Gallons).

# WILCO

**Wilco Manufacturing L.L.C.**  
**P.O. Box 80829**  
**Lafayette, LA 70598**  
**Tel: 337.235.1715**  
**Fax: 337.233.3511**  
[www.wilcomanufacturing.com](http://www.wilcomanufacturing.com)



©2015 Wilco Manufacturing, LLC  
 Caterpillar Inc. headquartered in Peoria, IL USA  
 Offers no warranty either explicit or implies  
 on Wilco pontoon undercarriages.  
 Caterpillar, Cat and 329F are registered trademarks of Caterpillar.